

For Residential and Commercial Applications

Job Name		Engineer / Architect	
Job Location		Wholesaler	
Submittal Date		Contractor	

G2QPS14X 1/4 Turn Push Connect Straight Stop - Push Connect Outlet

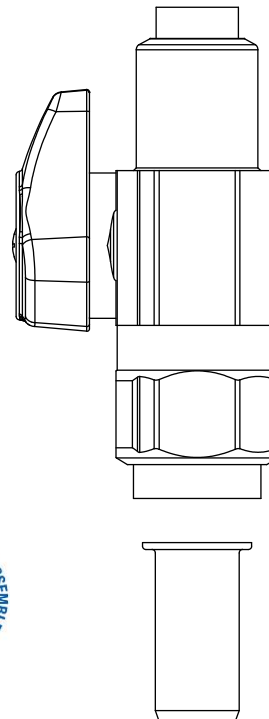
Use: For use with water in accessible locations only. Not intended for recirculating systems that produce continuous use temperatures above 115° F. For those applications, use our KT™ series ball stop.

Design Features:

- **Compatible with** PEX, copper, and CPVC
- **Pre-inserted tube stiffener** is “installation ready” for a faster connection
- **Compact machined one-piece** brass body design
- **Fast, reliable, and secure** connection
- **Push Connect X Push Connect** inlet and outlet
- **Smooth 1/4 turn** operation
- **Easy-to-remove handle** helps protect against accidental stop operation during rough-ins
- **100%** Leak tested
- **No Lead**

Operating Specifications:

Temperature: 40° - 140° F
Pressure: 125 PSI maximum



STOP MATERIAL SPECIFICATIONS

Body	<i>No-Lead brass, chrome plated</i>
Handle	<i>Zinc, die cast plated</i>
Handle Screw	<i>Zinc-plated steel</i>
O-ring	<i>Rubber</i>
Stem Shaft	<i>Polypropylene</i>
Stem Barrel	<i>TPE</i>
Removal Flange	<i>Polypropylene</i>
Tube Support	<i>POM</i>
Gripper Ring	<i>Stainless steel</i>

This specification and all information contained herein is the confidential and exclusive property of BrassCraft Manufacturing, and shall not be disclosed to others without the written consent of BrassCraft Mfg. This specification must be returned to BrassCraft Mfg if requested.

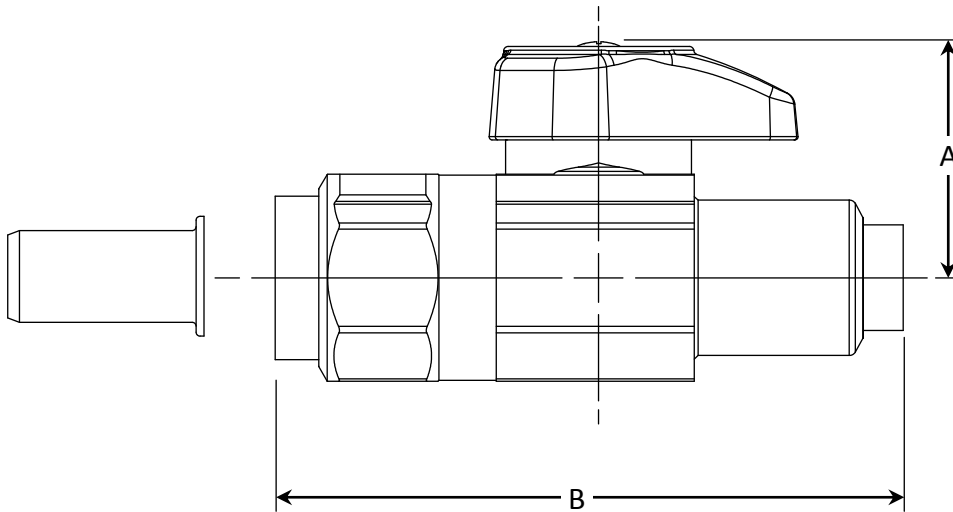


G2QPS14X 1/4 Turn Push Connect Straight Stop - Push Connect Outlet

No-Lead Part Listing:

- G2QPS14X C 1/2" nom push connect x 3/8" OD push connect, chrome plated

PART DIMENSIONS (Inches)		
Model	DIM. A	DIM. B
G2QPS14X	1.03	2.74



Listings & Certifications:

- IAPMO listed to ASME A112.18.1 / CSA B125.1 and ASSE 1061 (File # 0645)
- CSA listed to ASME A112.18.1 / CSA B125.1 and ASSE 1061 (File # 204593)
- No-Lead product CSA listed to Low Lead Content Certification Program – Plumbing Products Class 6853-01



This specification and all information contained herein is the confidential and exclusive property of BrassCraft Manufacturing, and shall not be disclosed to others without the written consent of BrassCraft Mfg. This specification must be returned to BrassCraft Mfg if requested.

BrassCraft®